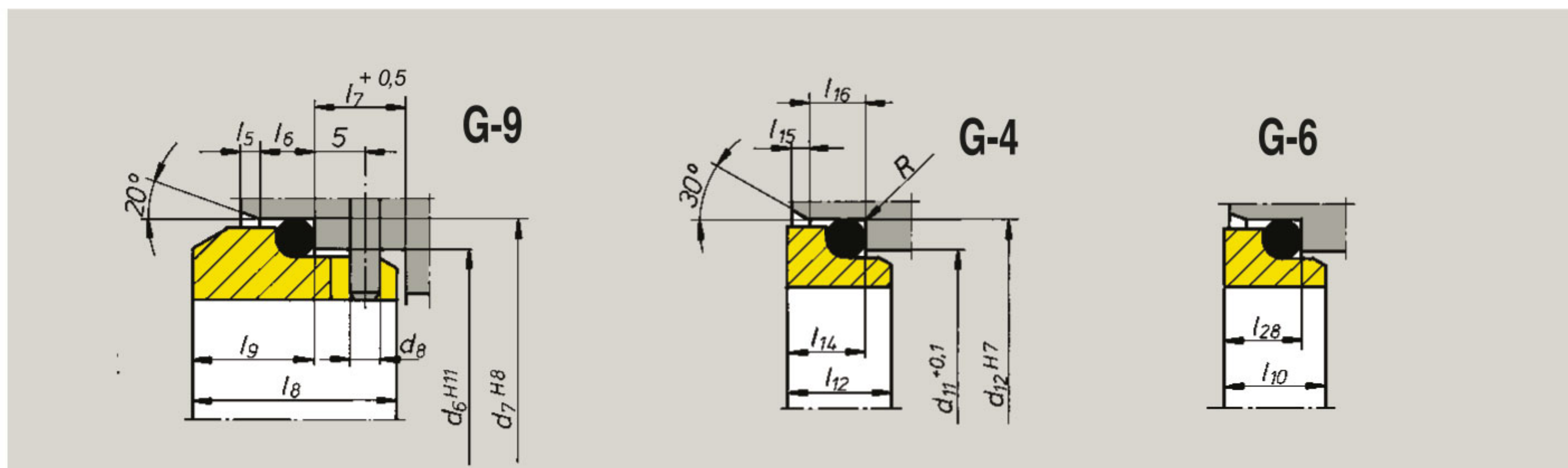


Product Description	Technical Features	Operating Range	Material
<ul style="list-style-type: none"> ▶ 1,1-Seal face ▶ 1,2-O-Ring (For rotary seal) ▶ 1,3-Spring ▶ 1,4-Housing ▶ 1,5-PTFE V-Ring ▶ 2-Stationary Seat ▶ 3-O-Ring (For stationary seal) ▶ 4-PTFE Ring 	<ul style="list-style-type: none"> ▶ Single Seal ▶ Unbalanced ▶ Multi-Spring ▶ Independent of rotation direction 	<ul style="list-style-type: none"> ▶ $d_1 = 14 - 100\text{mm}$ ▶ $p = 25 \text{ bar}$ ▶ $t = -50 / 220 \text{ }^\circ\text{C}$ ▶ $t = -35 / 280 \text{ }^\circ\text{C}$ ▶ $V_g = 25 \text{ m/sn}$ 	<ul style="list-style-type: none"> ▶ Rotary seal faces: Carbon, ▶ Stationary seal faces: Chromuim Nickle 316 ti Silicon carbide, Tungsten Carbide, Ceramic ▶ Elastomers : PTFE, Viton (FKM), EPDM, Nitril (NBR) Silicon

Stationary Seat Alternatives

- ▶ G-9 G-4 G-6



d	D	D1	L	L1	d	D	D1	L	L1
14	24	25	23.0	12.0	48	64	66	32.0	13.0
16	26	27	23.0	12.0	50	66	70	34.0	13.5
18	32	33	24.0	13.5	53	69	73	34.0	13.5
20	34	35	24.0	13.5	55	71	75	34.0	13.5
22	36	37	24.0	13.5	58	78	78	39.0	13.5
24	38	39	26.7	13.3	60	80	80	39.0	13.5
25	39	40	27.0	13.0	63	83	83	39.0	13.5
28	42	43	30.0	12.5	65	85	85	39.0	13.5
30	44	45	30.5	12.0	68	88	90	39.0	13.5
32	46	48	30.5	12.0	70	90	92	45.5	14.5
33	47	48	30.5	12.0	75	95	97	45.5	14.5
35	49	50	30.5	12.0	80	104	105	45.0	15.0
38	54	56	32.0	13.0	85	109	110	45.0	15.0
40	56	58	32.0	13.0	90	110	115	50.0	15.0
43	59	61	32.0	13.0	95	119	120	50.0	15.0
45	61	63	32.0	13.0	100	124	125	50.0	15.0