

RELY ON EXCELLENCE

STD1

Mechanical seals | Agitator seals | Shut-down seals

Features

If a STD is employed, it is possible to change seals with the vessel loaded and under pressure (shaft must be stationary!). Installation dimensions according to DIN 28138 Part 1 are possible. Material properties have to be taken into account.

Advantages

Can be installed in each position.

Operating range

Shaft diameter:

$d_3 = 40 \dots 200 \text{ mm} (1.57" \dots 7.87")$

Pressure: $p_1 = 16 \text{ bar} (232 \text{ PSI})$

Temperature: $t = +100 \text{ °C} (+212 \text{ °F})$

Elastomer sealing element (Item no. 1) with pneumatic or hydraulic actuation (closing pressure $p_4 > p_1$).

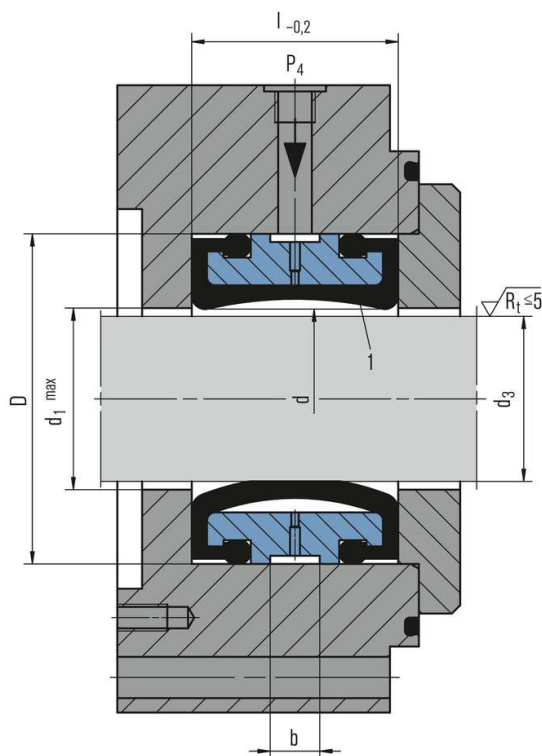
Notes

This seal can only be used if the product does not harden or congeal during the shut down period or for sterile operation (fermenting vessels). Not available in PTFE.

Recommended applications

- Chemical industry
- Pharmaceutical industry
- Agitators

RELY ON EXCELLENCE



Dimensions

d_3	d	d	d_1	l	b
40	76	42.5	42	38.0	8
50	84	52.5	52	38.0	8
60	95	62.5	62	44.5	10
80	118	82.5	82	45.0	10
100	138	102.5	102	45.0	10
125	160	127.5	127	45.0	10
140	180	143.5	143	50.0	12
160	200	163.5	163	50.0	12
180	215	183.5	183	50.0	12
200	240	203.5	203	50.0	12

Dimensions in millimeter

RELY ON EXCELLENCE

eagleburgmann.com
info@eagleburgmann.com

www.Iranseal.com
www.Burgmann.ir