

HBrinker Mechanical Seal

Agitator seal Mechanical Seal HBM481C



Mechanical Seal HBM481C

Operating range

Shaft diameter: $d_1 = 40 \dots 125 \text{ mm}$ (1.57" 4.92")

Pressure:

$p_1 = \text{vacuum} \dots 10 \text{ bar}$ (145 PSI),

$p_3 = \text{max. } 12 \text{ bar}$ (174 PSI)

Temperature: $t_1 = -40 \text{ }^\circ\text{C} \dots +200 \text{ }^\circ\text{C}$ (-40 $^\circ\text{F} \dots +392 \text{ }^\circ\text{F}$)

Sliding velocity: $v_g = 0 \dots 3 \text{ m/s}$ (0 ... 16 ft/s)

Materials

- Seal faces: Carbon graphite or Silicon carbide, FDA conform
- Seats: Silicon carbide, FDA conform
- Secondary seals and metallic parts acc. to application and customers' requirement.

Features

- Liquid-lubricated double seal for topenry drives
- Cartridge unit
- Self-closing on the product side
- For stepped and unstepped shafts
- Unbalanced
- Independent of direction of rotation
- Multiple springs rotating

Advantages

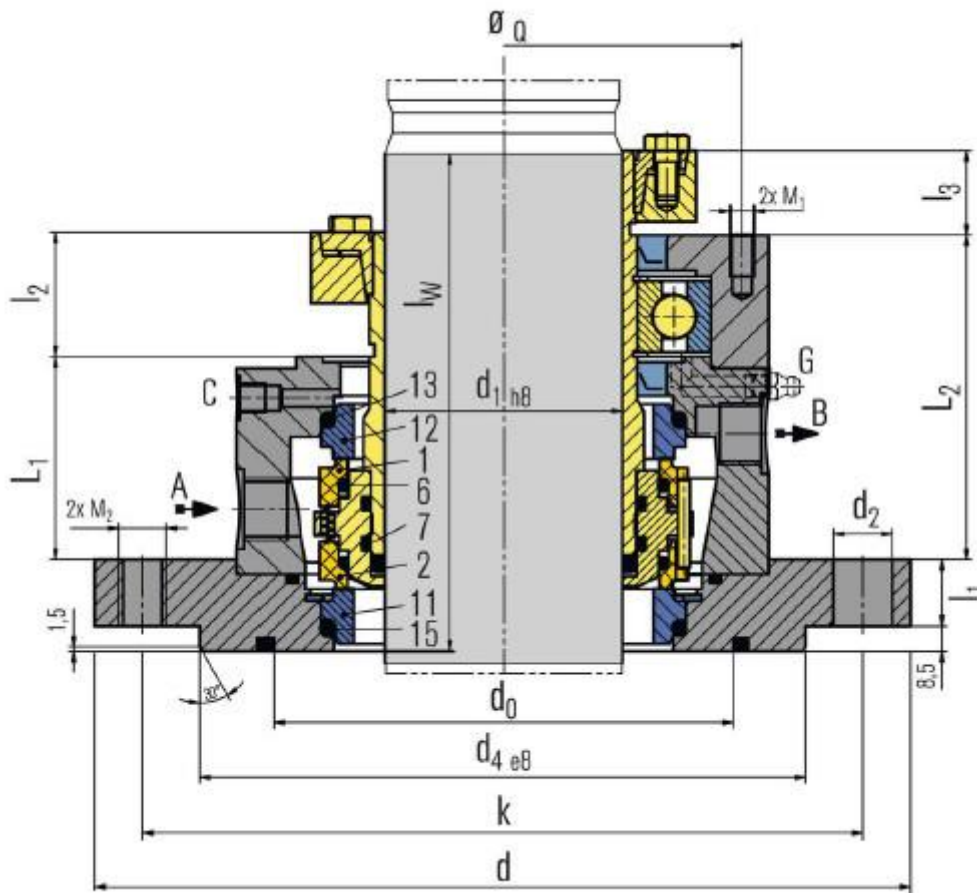
- Ready-to-fit and factory-tested units
- The M481C and its variants will remain closed even during pressure variations or pressure reversal. Operation is possible with buffer fluid ($p_{1\text{max}} = 6 \text{ bar}$ (87 PSI)) or pressurized with barrier fluid as double seal
- Available with or without bearing
- Metal-free on product side as option
- Suitable for standardizations
- Seal can be applied at higher pressure and rotating speed than specified by DIN

Recommended applications

- Refining technology
- Petrochemical industry
- Chemical industry
- Pharmaceutical industry
- Food and beverage industry
- Agitators
- Reactors

HBrinker Mechanical Seal

Agitator seal Mechanical Seal HBM481C



Item	Description
1	Seal face, atmosphere side
2	Seal face, product side
6,7,13,15	O-Ring
11	Seat, product side
12	Seat, atmosphere side

Dimension Table

$d_1^{1)}$	$d^{1)}$	$n \times d_2$	d_4	d_0	k	L_1	L_2	$L_w^{2)}$	h_1	h_2	h_3	a	M_1	M_2	A, B	C	G
40	175	4×18	110	90	145	60.5	93.5	143	18.5	32.5	22.5	105	M8	M16	G3/8	G1/8	M6
50	240	8×18	176	159	210	63	101.5	148	17.5	26	22	143	M8	M16	G3/8	G1/8	M8X1
60	240	8×18	176	159	210	63	101.5	158	17.5	27	25	143	M8	M16	G3/8	G1/8	M8X1
80	275	8×22	204	155	240	68.5	109.5	168	22.5	42	28.5	161	M8	M20	G1/2	G1/8	M8X1
100	305	8×22	234	190	270	73.5	119	178	20	32	30.5	195	M10	M20	G1/2	G1/8	M8X1
125	330	8×22	260	215	295	80.5	134	203	22.5	39	38	231	M10	M20	G1/2	G1/8	M8X1