

HBrinker Mechanical Seal

Agitator seal Mechanical Seal HBSMIX481



Mechanical Seal HBSMIX481



Operating range

Shaft diameter: $d_1 = 40 \dots 160 \text{ mm}$ (1.57" ... 6.3")

Pressure: $p_1 = \text{vacuum} \dots 6 \text{ bar}$ (87 PSI)

Temperature: $t_1 = -20 \text{ }^\circ\text{C} \dots +200 \text{ (250*) }^\circ\text{C}$ (-4 $^\circ\text{F}$... +392 (482*)) $^\circ\text{F}$

Sliding velocity: $v_g = 0 \dots 2 \text{ m/s}$ (0 ... 6 ft/s)

Materials

- Seal face: Carbon graphite, FDA conform
- Seat: Silicon carbide, FDA conform
- Secondary seals and metal parts according to application and customer's specifications.

Features

- For top entry drives
- For steel vessels acc. to DIN resp. Non-DIN
- Nitrogen pressurized dual seal, single seal optional
- Balanced
- Independent of direction of rotation
- Multiple springs rotating
- Dry running
- Cartridge unit

Advantages

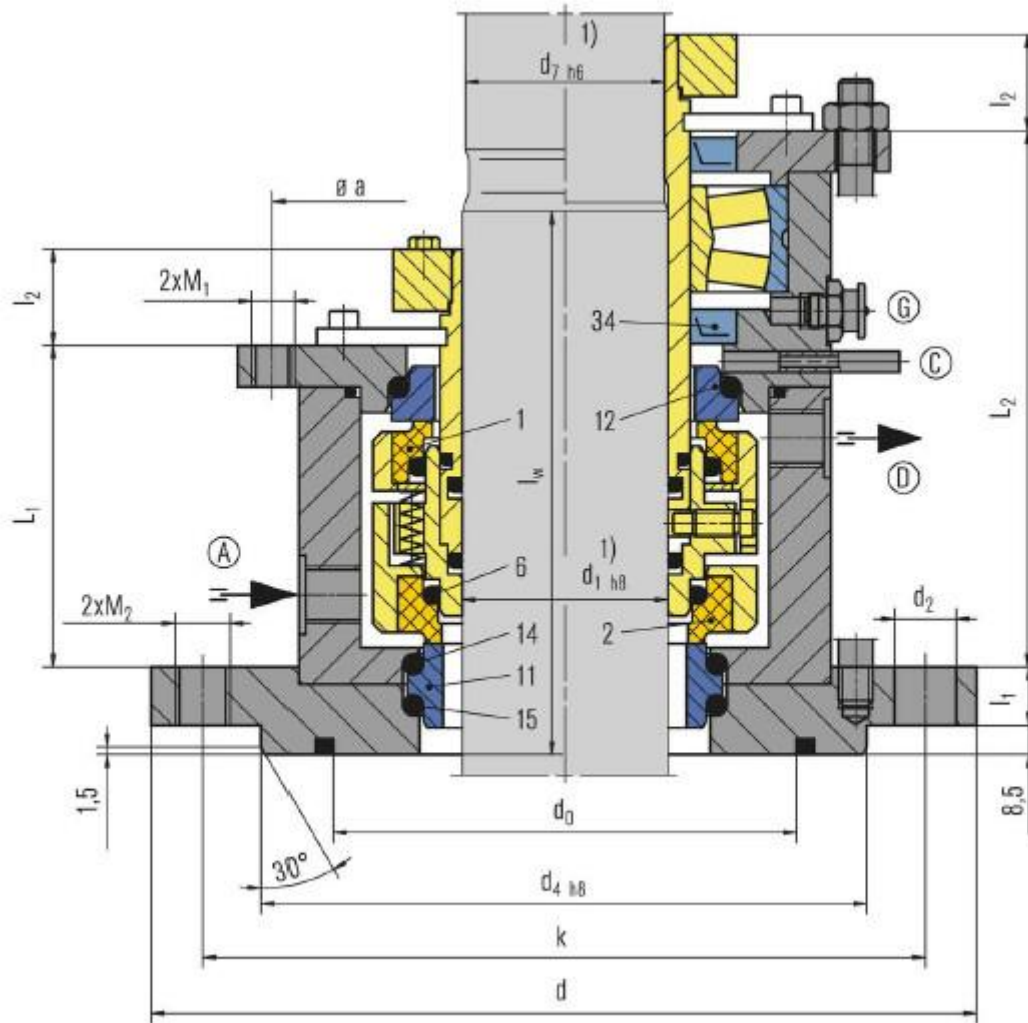
- Ready-to-fit and factory-tested unit With or without bearing available
- Suitable for pressure reversal e.g. in case of barrier pressure failure
- No contamination of the product by barrier fluid
- Friction-locked connection to the shaft
- Connections to DIN 28138 standards or as required (SeccoMix 451)
- ATEX certification available on request

Recommended applications

- Refining technology
- Petrochemical industry
- Chemical industry
- Pharmaceutical industry
- Food and beverage industry
- Agitators
- Mixers
- Reactors

HBrinker Mechanical Seal

Agitator seal Mechanical Seal HBSMIX481



Item	Description
1	Seal face, atmosphere side
2	Seal face, product side
6,7,13,14,15	O-Ring
11	Seat, product side
12	Seat, atmosphere side
34	Lip seal

HBrinker Mechanical Seal

Agitator seal Mechanical Seal HBSMIX481



Dimension Table

$d_1^{1)}$	$d_7^{1)}$	d	n x d_2	d_4	d_0	k	L_1	L_2	$L_w^{2)}$	l_1	l_2	A	M_1	M_1	A, B
40	38	175	4×18	110	90	145	87	136	143	15	28	122	M12	M16	G3/8
50	48	240	8×18	176	135	210	89	149	148	17	28	157	M12	M16	G3/8
60	58	240	8×18	176	135	210	93.5	156	158	17	28	168	M12	M16	G3/8
80	78	275	8×22	204	155	240	104.5	189	168	20	34	203	M16	M20	G1/2
100	98	305	8×22	234	190	270	109	190	178	20	34	228	M16	M20	G1/2
125	120	330	8×22	260	215	295	110	205	203	20	40	268	M20	M20	G1/2
140	135	395	12×22	313	250	350	124	222	208	20	40	285	M20	M20	G1/2
160	150	395	12×22	313	265	350	127.5	219.5	213	25	40	297	M20	M20	G1/2
180	170	445	12×22	364	310	400	132.5	230	233	25	45	332	M24	M20	G1/2
200	190	445	12×22	364	310	400	137.5	237.5	243	25	45	352	M24	M20	G1/2
220	210	505	16×22	422	340	460	149.5	249.5	263	25	50	381	M24	M20	G1/2

v