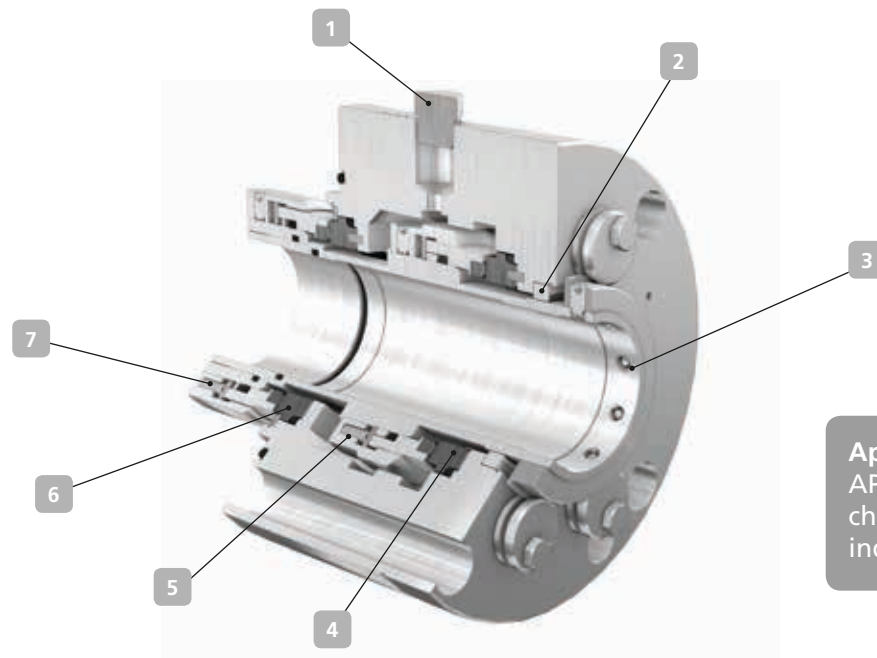


## 4KSBM6D – mechanical seals to API 682, 3<sup>rd</sup> Edition



**Applications:**  
API 682 applications in the  
chemical and petrochemical  
industries

### Arrangement 3 Contacting, double, product-lubricated and balanced cartridge mechanical seal

**1 Configurable flange connections**

For API Plans 11, 12, 21, 22, 23, 31, 32, 41, +53 (A, B, C), +54, +61 (62).

**2 Fixed throttling bush**

Optionally floating.

**3 Three strong torque transmitting elements**

For transmitting the rotation and for vibration damping.

**4 Seal face material**

Combination of hard and soft materials, e.g. silicon carbide (versus carbon graphite), highly resistant to blistering.

**5 Multi-spring arrangement**

Made of C276 alloy.

**6 Rotating flexible elements**

With O-ring as secondary seal.

**7 Optional cooled gland packing chamber**

(Plan 02) and connections for Plan 23 with high-efficiency pumping ring.

#### Technical description

Category	II or III
Type	A
Arrangement	3
Design	Cartridge
Additional information	Various wear part kits available, see ZN3307

#### Technical data

Shaft diameter	Up to 110 mm
Pressure	Up to 42 bar
Temperature	-10 to 176 °C
Bearing bracket (seal size)	B02 (050), B03 (060), B05 (079), B06 (100)
Sliding velocity	Up to 23 m/s

#### Materials

Standard	AQ2VMG-AQ2V or AQ2KMG-AQ2V
	Other material combinations on request

The indicated limit conditions are not absolute limits, but should be considered when calculating P\*V. Other conditions than specified above can be approved on request.