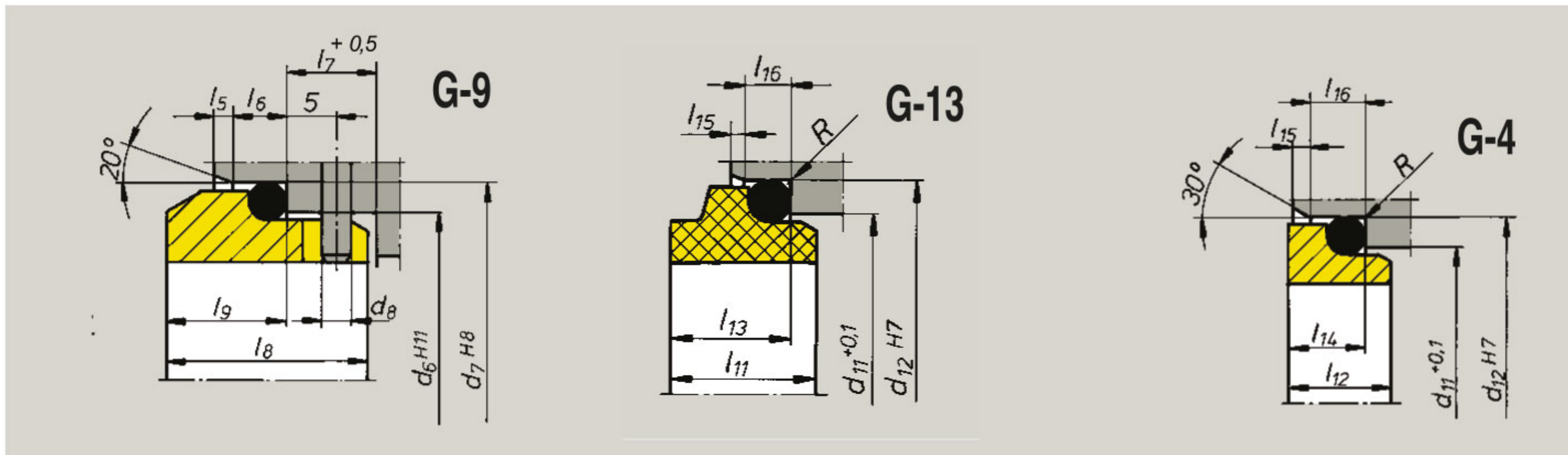


Product Description	Technical Features	Operating Range	Material
▶ 2-Seal face	▶ Single seal	▶ d1 = 40 - 200mm	▶ Rotary seal faces: Carbon, Silicon carbide, Tungsten Carbide, Chromium Nickel 316 ti, Ceramic.
▶ 4-Housing	▶ Unbalanced	▶ p = 6 bar	▶ Stationary seal faces: Carbon, Silicon carbide, Tungsten Carbide, Chromium Nickel 316 ti, Ceramic
▶ 5- Spring	▶ Available with or without bearings	▶ t = -30(-80)..... +220 (350) °C	▶ Elastomers : Viton (FKM), EPDM, Nitril (NBR)
▶ 6-O-Ring (For rotary seal)	▶ Independent of rotation direction	▶ Vg = 2 (5) m/sn	
▶ 8-Set screws			
▶ 11-Stationary seat			
▶ 14-O-Ring (For stationary seal)			
▶ 15-O-Ring (For stationary seal)			
▶ 34-Shaft seal			

**Stationary Seat Alternatives:**  
▶ G-9 G-13 G-4 G-6



d3 <sup>1)</sup>	d7 <sup>1)</sup>	d1	n x d2	d4	d0	Øk	L1	L2	Lw <sup>2)</sup>	l1	l2	a	M1	M2	A, B
40	38	175	4x18	110	90	145	110.5	159.5	143	15	28	122	M12	M16	G <sup>3</sup> / <sub>8</sub>
50	48	240	8x18	176	135	210	114.5	174.5	148	17	28	157	M12	M16	G <sup>3</sup> / <sub>8</sub>
60	58	240	8x18	176	135	210	119.0	181.5	158	17	28	168	M12	M16	G <sup>3</sup> / <sub>8</sub>
80	78	275	8x22	204	155	240	133.0	217.5	168	20	34	203	M16	M20	G <sup>1</sup> / <sub>2</sub>
100	98	305	8x22	234	190	270	137.5	218.5	178	20	34	228	M16	M20	G <sup>1</sup> / <sub>2</sub>
125	120	330	8x22	260	215	295	138.5	233.5	203	20	40	268	M20	M20	G <sup>1</sup> / <sub>2</sub>
140	135	395	12x22	313	250	350	152.5	250.5	208	20	40	285	M20	M20	G <sup>1</sup> / <sub>2</sub>
160	150	395	12x22	313	265	350	161.0	253.0	213	25	40	297	M20	M20	G <sup>1</sup> / <sub>2</sub>
180	170	445	12x22	364	310	400	166.0	263.5	233	25	45	332	M24	M20	G <sup>1</sup> / <sub>2</sub>
200	190	445	12x22	364	310	400	171.0	271.0	243	25	45	352	M24	M20	G <sup>1</sup> / <sub>2</sub>
220	210	505	16x22	422	340	460			263	25			M24	M20	G <sup>1</sup> / <sub>2</sub>